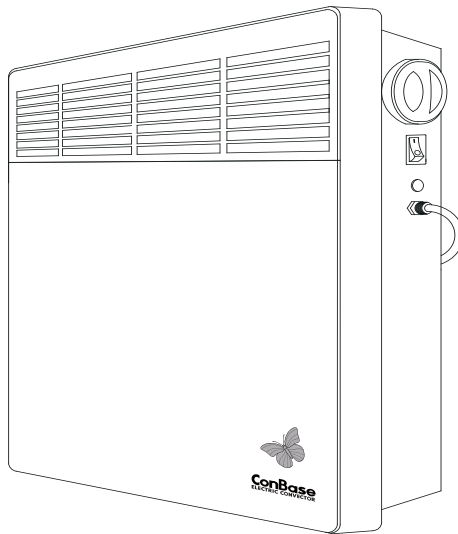


ConBase Electric Convector

User's Manual (For Basic / Timer type)

BC-050S / BC-075S / BC-100S / BC-125S / BC-150S / BC-200S / BC-250S
BC-050T / BC-075T / BC-100T / BC-125T / BC-150T / BC-200T



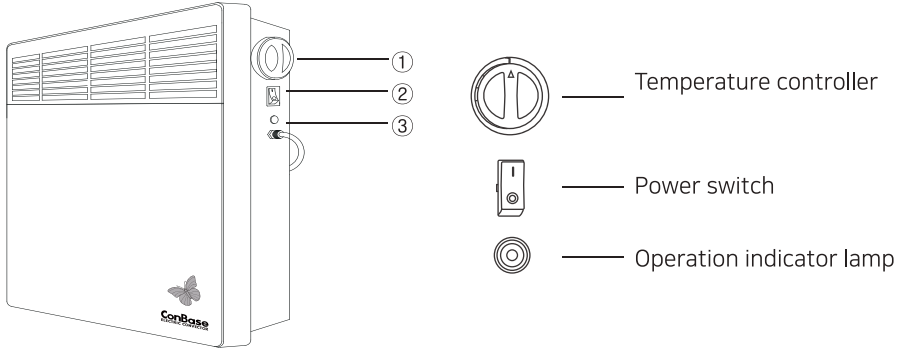
1. Table of Contents	2 p
2. Safety Precautions	3 p
3. Parts Designation	4 p
4. Method of Use	5 p
5. Operating the Timer	6 p
6. Wall Installation Procedure	7 p
7. Product Installation	8 p
8. Product Data	9 p
9. Maintenance	10 p
10. Warranty	11 p



! The product data and exterior design may be altered without prior notice to the user for enhanced quality.

- Do not disassemble or modify the product arbitrarily.
 - By doing so, the product may be damaged, which may lead to damage of property.
 - Do not touch the product or power switch, plug with wet hands or body.
 - Electric shock may occur.
 - Do not place product on a prop nor cover the upper vents with objects or towels.
 - Fire due to overheating and malfunction of product may occur.
 - Do not place flammable and combustible substances near the product.
 - Due to fire accident and damage of property may occur.
 - Use a dedicated electric outlet.
 - Using several products connected to an electric outlet may lead to overheating and fire.
 - Use in place away from direct water contact.
 - This product is an electric convector, thus direct contact with water may risk electrical short and shock.
 - Do not press on product from above after installation.
 - When installed in schools or kindergarten, students and children pressing from above or hanging onto the product may result in product falling from wall leading to damage.
Furthermore, while in operation, the high temperature above the electric convector may cause burns which require the administrator's cautions.
 - Do not install product directly below an electric outlet.
 - Please adhere to the installation directions.
 - Overheating, Fire, malfunction may occur due to slanted or upside down installation.
 - On the first operation after purchase there may be a light burning smell. If this occurs for a longer term (more than 10 minutes) please contact service center.
 - When not in use, please unplug the power switch.
 - Do not directly touch the front vents or the upper part as it is very hot. - Burn care
 - It is good to check on children that children do not play with product.
 - If power cable is damaged, to avoid dangers, manufacturer, authorized agent or qualified person must change the switch.
 - This appliance is not intended for use by persons (including children) with reduced physical, sensory or mental capabilities, or lack of experience and knowledge, unless they have been given supervision or instruction concerning use of the appliance by a person responsible for their safety.
 - This appliance can be used by children aged from 8 years and above and persons with reduced physical, sensory or mental capabilities or lack of experience and knowledge if they have been given supervision or instruction concerning use of the appliance in a safe way and understand the hazards involved.
 - Children shall not play with the appliance.
 - Cleaning and user maintenance shall not be made by children without supervision.
 - Children of less than 3 years should be kept away unless continuously supervised.
Children aged from 3 years and less than 8 years shall only switch on/off the appliance provided that it has been placed or installed in its intended normal operating position and they have been given supervision or instruction concerning use of the appliance in a safe way and understand the hazards involved.
Children aged from 3 years and less than 8 years shall not plug in, regulate and clean the appliance or perform user maintenance.
- CAUTION** — Some parts of this product can become very hot and cause burns. Particular attention has to be given where children and vulnerable people are present.

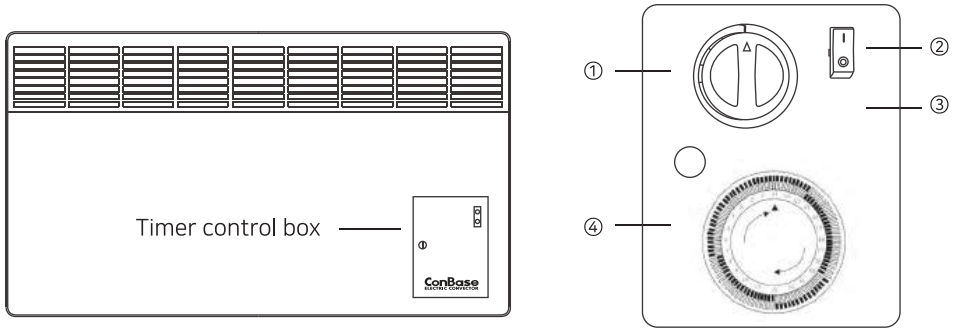
Basic type



[Pic 1] Controllers of basic type electric convector

- ① Temperature controller : used when setting operating temperature.
- ② Power Switch : applies power input(I)/output(O) to electric convector
- ③ Operation indicator lamp : indicates if heater is in operation

Timer type



[Pic 2] Controllers of timer type electric convector

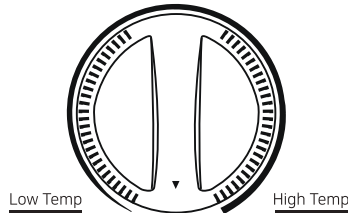
Inside timer control box

- ① Temperature controller : used when setting operating temperature.
- ② Power Switch : applies power input(I)/output(O) to electric convector
- ③ Operation indicator lamp : indicates if heater is in operation
- ④ Timer (24H settings, 15 minutes per 1 pin)



Power Switch

- When power switch is put in I position the switch lamp turns on and power is supplied.
- (O position blocks power) Heater operation is not guaranteed with power switch in I position. Only when the temperature is higher than the room temperature, the heater is heated and the operation lamp is turned on.



Temperature controller

- According to preferred room temperature, set the level by turning the control knob.
- Built-in temperature sensor will detect room temperature and the room temperature will be steadily maintained to set temperature.
- Heater will operate at the "clicking" level when turning the control knob of the temperature controller; this will be the current temperature.
- "Clicking" will operate in lower levels during winter and higher levels during spring, autumn.

Level	●	1	2	3	4	5	6	7	8	9	10	11	12
Temperature	0	2.5	5	7.5	10	12.5	15	17.5	20	22.5	25	27.5	30

- The operation level temperature above is a reference and the insulation, outside temperature etc. may show deviations. Temperature control level must be set according to surrounding temperature.



Operation indicator lamp

- When power switch is in I position (ON) and temperature controller level is set higher than the surrounding room temperature, heater will operate. At this state, the Operation indicator lamp light will turn on and show that heater is in proper operation.



24H controller

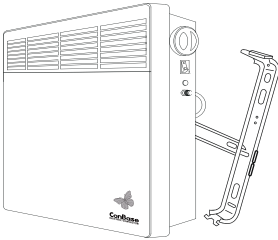
Setting operation time: Push pin inwards
Setting non-operation time: Pull pin outwards.

(Picture example)
Current time : 12 AM
OFF time settings: 10PM to 7AM / 12PM to 3PM.
ON time settings: All other times excluding OFF time

- After checking the current time, set the current time on the triangle indicator by turning the numerical timer disk clockwise.
- Rotate the timer disk only clockwise (Important)
- Turning counter clockwise will result in malfunction.
- Pull the pins outwards for times not wanted for operation and push the pins inwards for times wanted for operation.
- When delivered, all pins are set inwards. (On status on all times)
- 1 pin resembles 15 minutes, and to use the timer function the power supply must be connected to the electric outlet.
- In order to use the timer normally, the power plug must be plugged into an outlet.

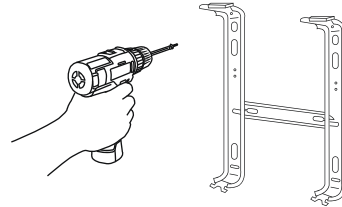
Detachment of Bracket

Detach the bracket installed on the product.



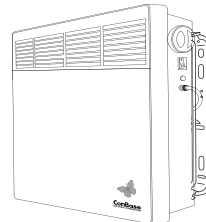
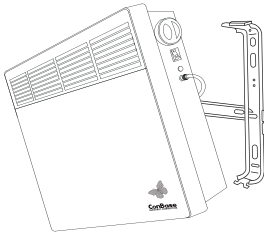
Wall Installation of Bracket

Use an M4x25mm screw to fix the detached bracket onto the wall surface using a screw driver or electric tool.



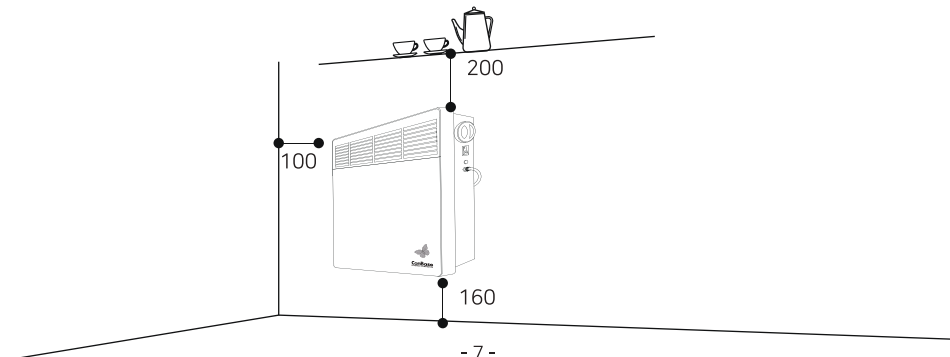
Installation of Product

Fit the convector onto the installed bracket from the bottom (step 1) and push the upper part for complete lock up (step 2).

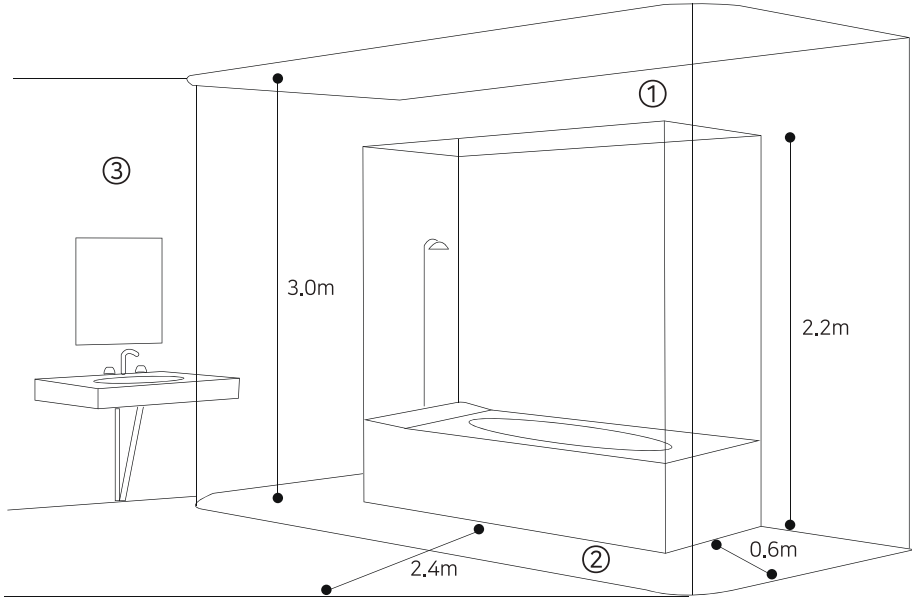


Securing Safety Installation Area

Please install away from the floor, wall, curtain, etc. as the indicated distances in the picture below. The floor in particular must be kept at least 15cm away from the bottom of the convector, 25cm must be maintained in humid bathroom or kitchen.



- ❗ Install product away from direct contact with water.
- ❗ Install where person taking a bath or shower cannot touch the controller with wet hands.



(Indication of bathroom installation area)

- ▮ Volume 1: bathtub area
- ▮ Volume 2: 60cm within the bathtub area
- ▮ Volume 3: remaining area within bathroom
- ▶ This product may be installed in Volume 3.

Recommended Installation Height

- ▮ This product is a convection type convector, thus must be installed close to the floor.
- ▮ When installed in a higher position, the temperature detector sensor will detect the temperature of the upper area which may cause trouble for appropriate heating and proper operations.
- ▮ Installation should be appropriate considering cleaning and damages possible, the recommended installation location is 15~20cm from the floor to the bottom of the product.

Basic Type Electric Convector

(Main specifications (220V Platform), 60Hz)

Model No.	Power Consumption (W)	Product Width (mm)	Product Thickness (mm)	Product Height (mm)	Weight (Kg)
BC-050S	500	340	80	440	3.5
BC-075S	750	420	80	440	4.0
BC-100S	1000	420	80	440	4.0
BC-125S	1250	580	80	440	5.3
BC-150S	1500	580	80	440	5.3
BC-200S	2000	740	80	440	6.3
BC-250S	2500	900	80	440	7.6

Timer Type Electric Convector

(Main specifications (220V Platform), 60Hz)

Model No.	Power Consumption (W)	Product Width (mm)	Product Thickness (mm)	Product Height (mm)	Weight (Kg)
BC-050T	500	420	80	440	4.8
BC-075T	750	580	80	440	5.3
BC-100T	1000	580	80	440	5.3
BC-125T	1250	740	80	440	6.8
BC-150T	1500	740	80	440	6.8
BC-200T	2000	900	80	440	7.9

- The product does not require special maintenance.
 - When removing dust, use a soft cloth to wipe.
 - In case of stain, use a wet cloth to wipe.
 - Do not use abrasive or metallic polish as it may damage the surface painting.
 - Use the round brush of the vacuum cleaner to clean the vents regularly.
 - Drenched dust may lead to overheating or malfunction in safety system.
 - If power cable is damaged, must use after replaced by a qualified technician.
- ❗ The product is an assistance heater and maybe used for freeze protection, however please install an additional reserve heating system taking into consideration abnormal conditions such as power failure, malfunction of product, etc.



WARRANTY

The warranty for this product is limited to defect in production or naturally occurred breakdown.

You can receive a replacement or repair for free if you bring the product warranty issued at the time of purchase and contact the authorized agent or head office.

Warranty period: 12 months after purchase or 18 months after production date

(1) Quality Assurance Regulations

Damage Type	Compensation
Major repair required due to defect that occurred under normal usage within 10 days of purchase Product replacement or refund	Product replacement after payment
Major repair required due to defect that occurred under normal usage within 1 month of purchase	Customer's negligence within warranty period
Product replacement or free repair Defect that occurred under normal usage within warranty period Free repair Recurrence (4th) of identical defect repaired up to 3 times Product replacement or refund Recurrence (5th) of defects of various parts repaired up to 4 times Product replacement or refund Defect on replacement product requiring major repair within 1 month of exchange Refund	After warranty period
Damaged resulted due to not having repair part within parts retention period Product replacement or refund Defect during normal usage within warranty period	Refund after including 10% of depreciation amount

(2) The following cases will require payment even if within warranty period.

- Payment will be required if repair agent has made visit due to customer's request but no defect found.
- Defects occurred due to not following the precautions of this user's manual
- Defects (upside down installation, using electricity other than 220V, etc.) occurred during negligence usage
- Damage or defect caused by natural disaster
- Damage or defect from repair or remodeling by someone other than company's designated repair agent or authorized agent.

This warranty is only valid in the Republic of Korea, and is not reissued.

Product name		Date of Purchase	
Model Name		A/S Period	
Place of Purchase		Contact Information	

Head Office: 136-15, Donggureung-ro 459beon-gil, Guri-si, Gyeonggi-do, Korea

Factory : 564-9 Ipseok-ri, Sudong-myeon, Namyangjusi, Gyeonggi-do, Korea



136-5, Donggureung-ro 459beon-gil, Guri-si, Gyeonggi-do, Republic of Korea

Tel) +82 31 551 8090

Email) admin@enbs.co.kr